

# Top

Design by Ramos & Bassols.

Soft, spherical shapes and a warm luminescence characterize the Top collection. Its glowing epicenter is encircled by a larger ring, lending the look of framing the light within its pure geometry.

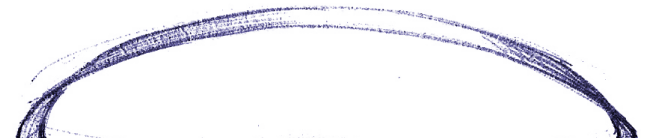
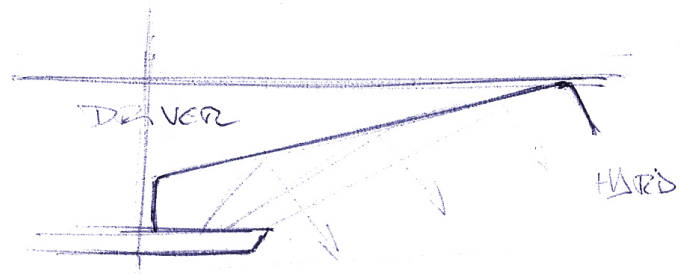
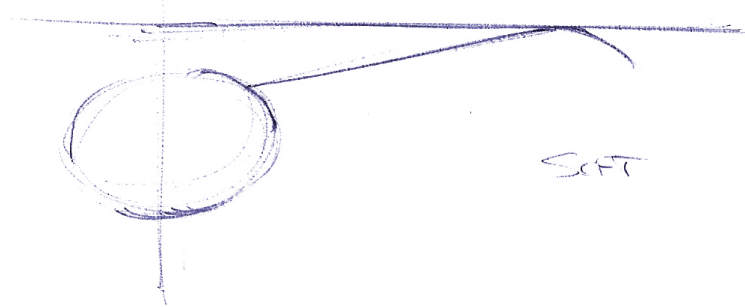
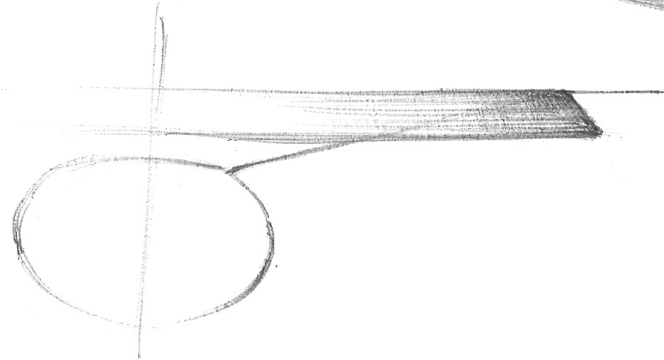
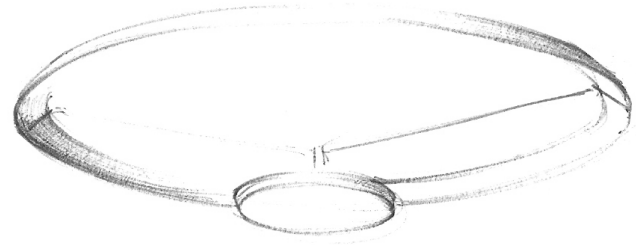
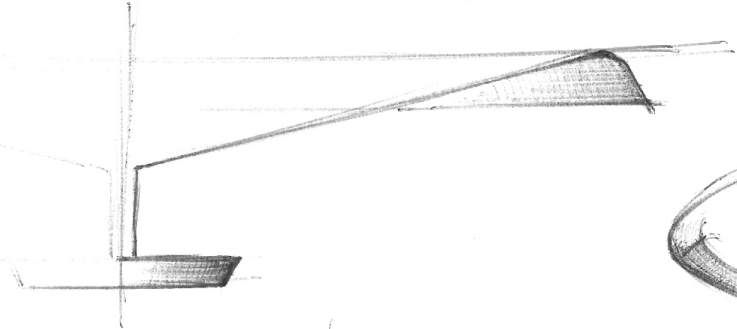
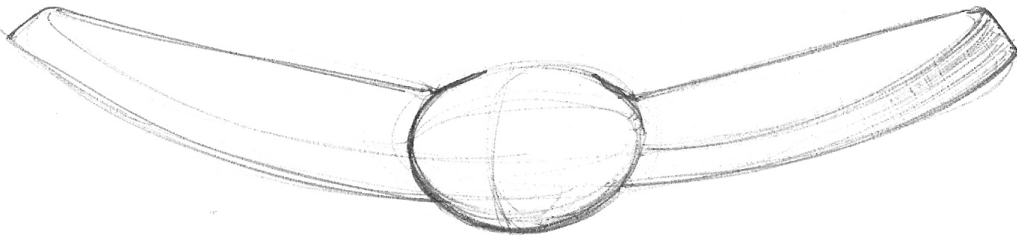


GET THE CATALOGUE AT HOME

















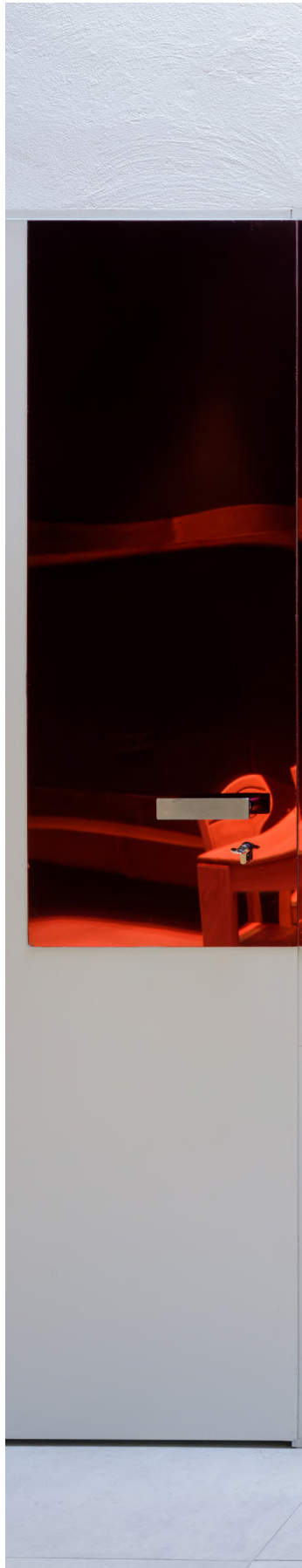
GET THE CATALOGUE AT HOME









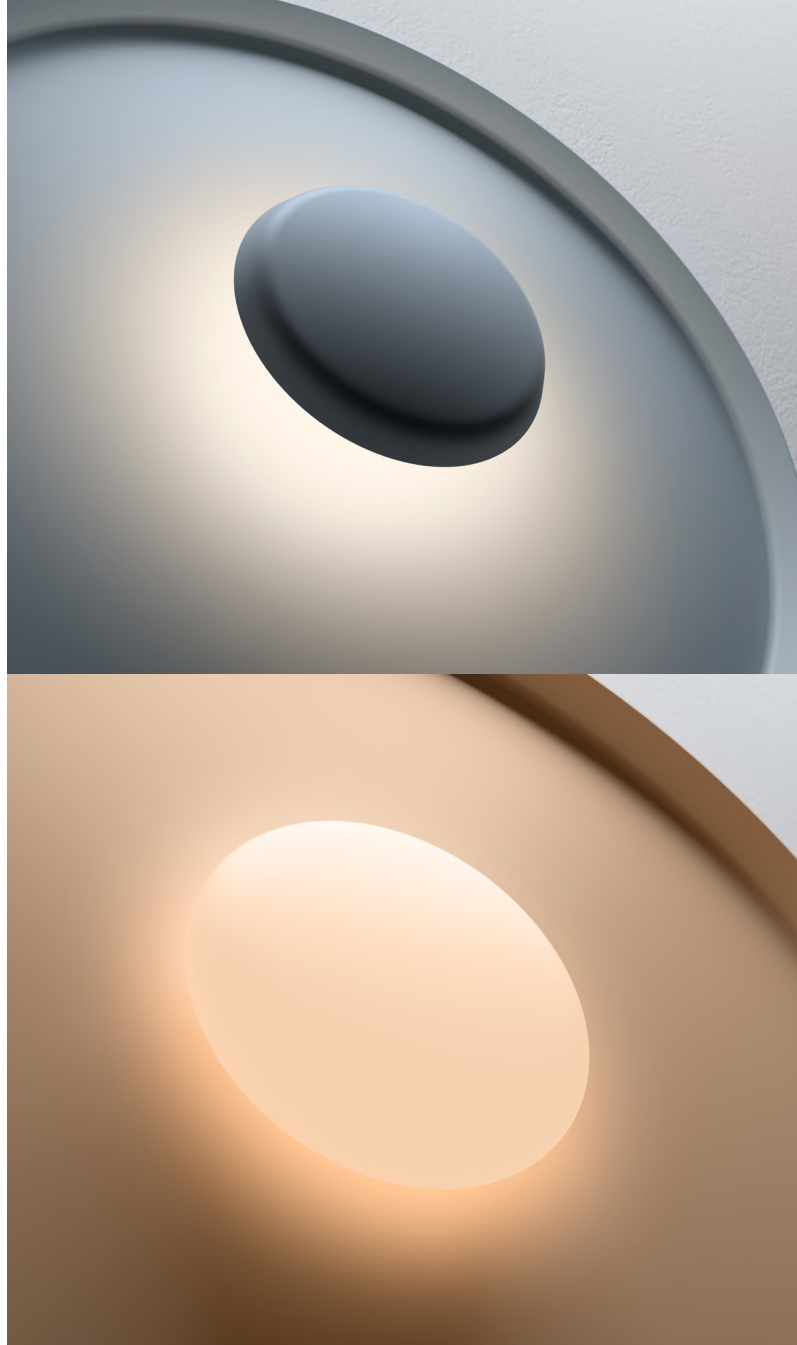
















A modern reimagining of the timeless rosette motif, the Top ceiling and wall lights are distilled to its essence. A pair of simple circles creates a focal point of LED-powered light overhead that recalls a bullseye pulsing with a soft glow. Its small, illuminated sphere reflects light back towards the larger one, generating a halo effect of even, indirect light and a soothing ambiance. The ceiling and wall lights are crafted of aluminum and available in mini, small, medium, and large sizes, the latter fitted with a glass diffuser that emits general, direct light.

- 10 White (NCS S 0300-N)
- 36 Soft Pink (NCS S 1010-Y50R)
- 40 Blue L1 (NCS S 3010-B)
- 47 Green L1 (NCS S 4005-G80Y)

Body: Aluminum.

Ref. 1170.

Diffuser: Triplex Opal Glass.

LED 2700 K. CRI>90

Ref. 1155

Dimming: 1-10V, Push.

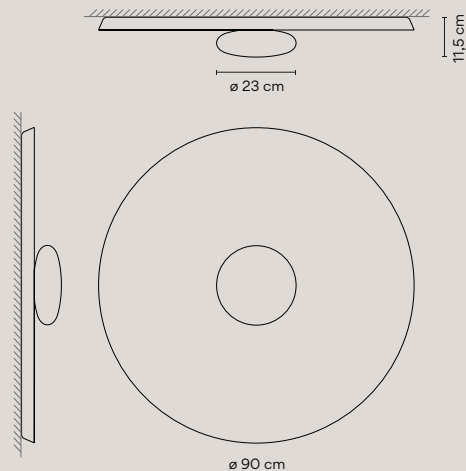
Ref. 1160, 1170

Dimming: 1-10V, DALI, Push.

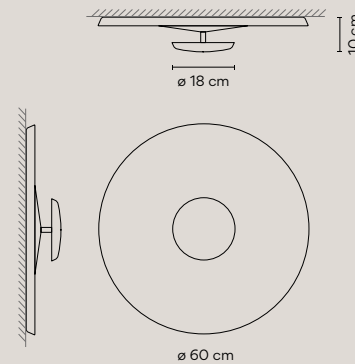
#### Personalization options available

- LED 4000 K
  - Ref. 1155, 1160, 1170. Dimming: Casambi
- Request more information.

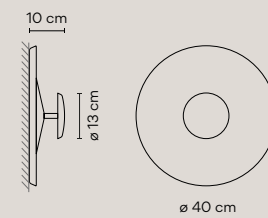
1170



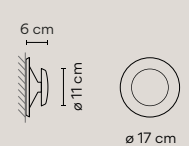
1160



1155



1154



GET THE CATALOGUE AT HOME